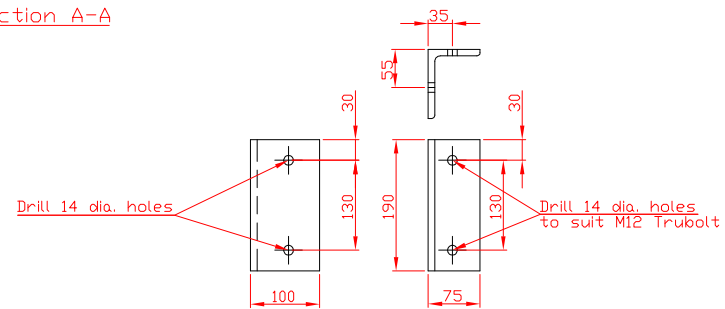


Connection of Bearer to Structure

(Restrains floor in line with bearers)

Use galvanized bolts with washers under both head & nut
Angles are Grade 300PLUS



Connecting Angle Details
100x75x10 UA 190 long